

HA17431 Series

Shunt Regulator

HITACHI

ADE-204-049 (Z)

Rev. 0

Dec. 2000

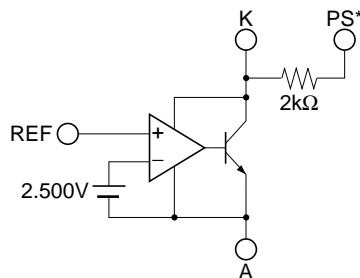
Description

The HA17431 series is a family of voltage referenced shunt regulators. The main application of these products is in voltage regulators that provide a variable output voltage. The HA17431 series products are provided in a wide range of packages; TO-92 and TO-92MOD insertion mounting packages and MPAK-5, UPAK, and FP-8D surface mounting packages are available. The on-chip high-precision reference voltage source can provide $\pm 1\%$ accuracy in the V versions, which have a V_{KA} max of 16 volts. The HA17431VLP, which is provided in the MPAK-5 package, is designed for use in switching mode power supplies. It provides a built-in photocoupler bypass resistor for the PS pin, and an error amplifier can be easily constructed on the supply side.

Features

- The V versions provide $2.500\text{ V} \pm 1\%$ at $T_a = 25^\circ\text{C}$
- The HA17431VLP includes a photocoupler bypass resistor ($2\text{ k}\Omega$)
- The reference voltage has a low temperature coefficient
- The MPAK-5 and UPAK miniature packages are optimal for use on high mounting density circuit boards
- A wide operating temperature range (-40 to $+85^\circ\text{C}$) is provided by the TO-92, TO-92MOD, and FP-8D package versions

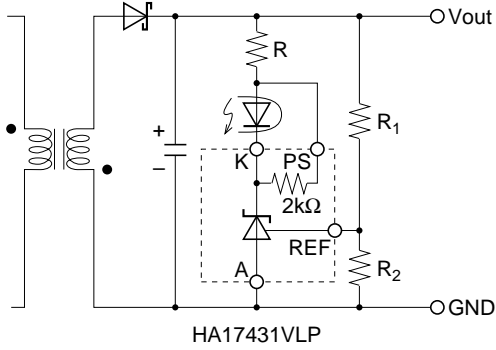
Block Diagram



Note: * The PS pin is only provided by the HA17431VLP.

Application Circuit Example

Switching power supply secondary-side error amplification circuit



Ordering Information

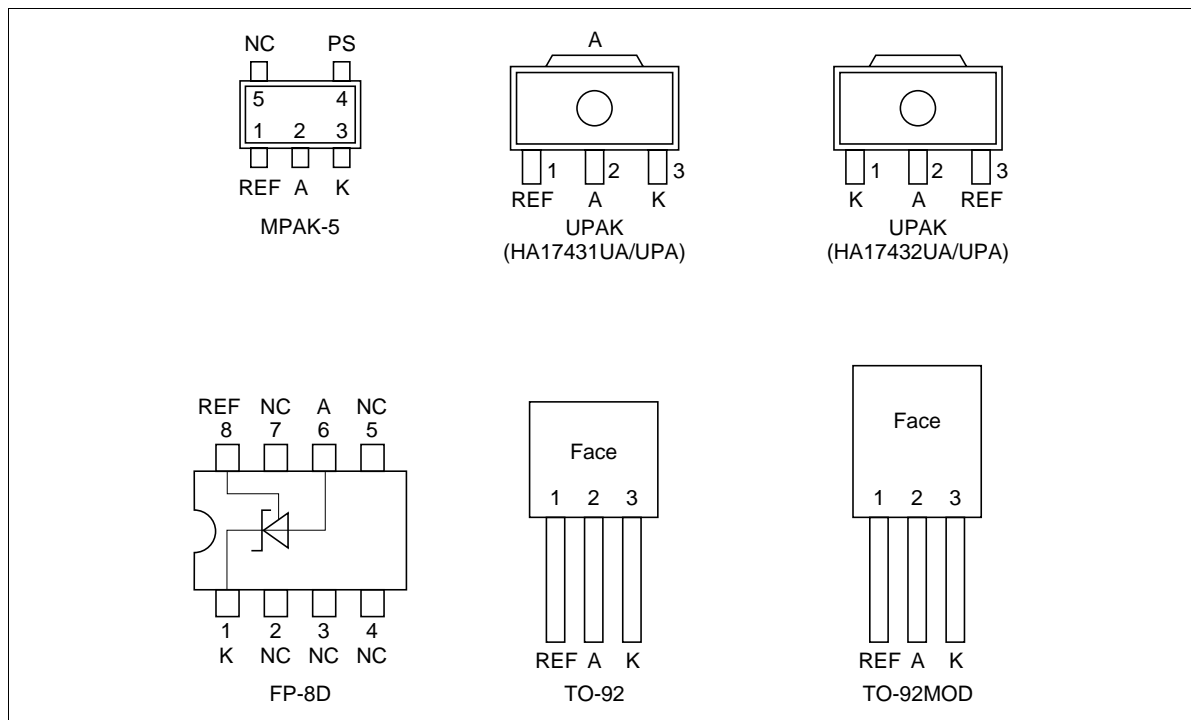
Version

| Item | Version | | | Package | Temp. Range |
|----------------------|------------|---------------|----------------|----------|--------------|
| | V Version | A Version | Normal Version | | |
| Reference voltage | Accuracy | ±1% (at 25°C) | ±2.2% | ±4% | |
| | Max | 2.525 V | 2.550 V | 2.595 V | |
| | Typ | 2.500 V | 2.495 V | 2.495 V | |
| | Min | 2.475 V | 2.440 V | 2.395 V | |
| Cathode voltage | 16 V max | 40 V max | 40 V max | | |
| Cathode current | 50 mA max | 150 mA max | 150 mA max | | |
| Wide temperature use | HA17431VPJ | HA17431PNAJ | | TO-92 | -40 to +85°C |
| | | HA17431PAJ | | TO-92MOD | |
| | | | HA17431PJ | TO-92MOD | |
| | | HA17431FPAJ | | FP-8D | |
| | | | HA17431FPJ | FP-8D | |

Ordering Information (cont)

| Item | Version | | | Package | Temp. Range |
|----------------|------------|------------|----------------|----------|--------------|
| | V Version | A Version | Normal Version | | |
| Industrial use | HA17431VLP | | | MPAK-5 | -20 to +85°C |
| | HA17431VP | HA17431PNA | | TO-92 | |
| | | HA17431UPA | | UPAK | |
| | | HA17432UPA | | UPAK | |
| | | HA17431PA | | TO-92MOD | |
| | | | HA17431P | TO-92MOD | |
| | | | HA17431FPA | FP-8D | |
| | | HA17431FP | FP-8D | | |
| Commercial use | | HA17431UA | | UPAK | |
| | | HA17432UA | | UPAK | |

Pin Arrangement



HA17431 Series

Absolute Maximum Ratings (Ta = 25°C)

| Item | Symbol | HA17431VLP | HA17431VP | HA17431VPJ | Unit | Notes |
|-----------------------------|------------------|-----------------------|--------------|--------------|------|---------|
| Cathode voltage | V _{KA} | 16 | 16 | 16 | V | 1 |
| PS term. voltage | V _{PS} | V _{KA} to 16 | — | — | V | 1, 2, 3 |
| Continuous cathode current | I _K | -50 to +50 | -50 to +50 | -50 to +50 | mA | |
| Reference input current | I _{ref} | -0.05 to +10 | -0.05 to +10 | -0.05 to +10 | mA | |
| Power dissipation | P _T | 150 *4 | 500 *5 | 500 *5 | mW | 4, 5 |
| Operating temperature range | T _{opr} | -20 to +85 | -20 to +85 | -40 to +85 | °C | |
| Storage temperature | T _{stg} | -55 to +150 | -55 to +150 | -55 to +150 | °C | |

| Item | Symbol | HA17431P/PA | HA17431FP/FPA | HA17431UA/UPA | Unit | Notes |
|-----------------------------|------------------|--------------|---------------|---------------|------|---------|
| Cathode voltage | V _{KA} | 40 | 40 | 40 | V | 1 |
| Continuous cathode current | I _K | -100 to +150 | -100 to +150 | -100 to +150 | mA | |
| Reference input current | I _{ref} | -0.05 to +10 | -0.05 to +10 | -0.05 to +10 | mA | |
| Power dissipation | P _T | 800 *6 | 500 *7 | 800 *8 | mW | 6, 7, 8 |
| Operating temperature range | T _{opr} | -20 to +85 | -20 to +85 | -20 to +85 | °C | |
| Storage temperature | T _{stg} | -55 to +150 | -55 to +125 | -55 to +150 | °C | |

| Item | Symbol | HA17431PJ/PAJ | HA17431FPJ/FPAJ | Unit | Notes |
|-----------------------------|------------------|---------------|-----------------|------|-------|
| Cathode voltage | V _{KA} | 40 | 40 | V | 1 |
| Continuous cathode current | I _K | -100 to +150 | -100 to +150 | mA | |
| Reference input current | I _{ref} | -0.05 to +10 | -0.05 to +10 | mA | |
| Power dissipation | P _T | 800 *6 | 500 *7 | mW | 6, 7 |
| Operating temperature range | T _{opr} | -40 to +85 | -40 to +85 | °C | |
| Storage temperature | T _{stg} | -55 to +150 | -55 to +125 | °C | |

HITACHI

| Item | Symbol | HA17432UA/UPA | HA17431PNA | HA17431PNAJ | Unit | Notes |
|-----------------------------|-----------|---------------|--------------|--------------|------|-------|
| Cathode voltage | V_{KA} | 40 | 40 | 40 | V | |
| Continuous cathode current | I_K | -100 to +150 | -100 to +150 | -100 to +150 | mA | |
| Reference input current | I_{ref} | -0.05 to +10 | -0.05 to +10 | -0.05 to +10 | mA | |
| Power dissipation | P_T | 800 *8 | 500 *5 | 500*5 | mW | |
| Operating temperature range | T_{opr} | -20 to +85 | -20 to +85 | -40 to +85 | °C | |
| Storage temperature | T_{stg} | -55 to +150 | -55 to +150 | -55 to +150 | °C | |

Notes: 1. Voltages are referenced to anode.

2. The PS pin is only provided by the HA17431VLP.

3. The PS pin voltage must not fall below the cathode voltage. If the PS pin is not used, the PS pin is recommended to be connected with the cathode.

4. $T_a \leq 25^\circ\text{C}$. If $T_a > 25^\circ\text{C}$, derate by 1.2 mW/°C.

5. $T_a \leq 25^\circ\text{C}$. If $T_a > 25^\circ\text{C}$, derate by 4.0 mW/°C.

6. $T_a \leq 25^\circ\text{C}$. If $T_a > 25^\circ\text{C}$, derate by 6.4 mW/°C.

7. 50 mm × 50 mm × t1.5mm glass epoxy board, $T_a \leq 25^\circ\text{C}$. If $T_a > 25^\circ\text{C}$, derate by 5 mW/°C.

8. 15 mm × 25 mm × t0.7mm alumina ceramic board, $T_a \leq 25^\circ\text{C}$. If $T_a > 25^\circ\text{C}$, derate by 6.4 mW/°C.

HA17431 Series

Electrical Characteristics (Ta = 25°C)

HA17431VLP/VP/VPJ (Ta = 25°C, I_k = 10 mA)

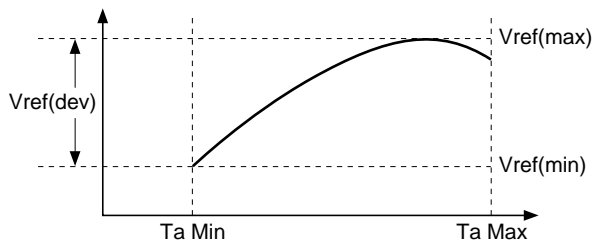
| Item | Symbol | Min | Typ | Max | Unit | Test Conditions | Notes |
|---|-------------------------------------|-------|-------|-------|--------|--|-------|
| Reference voltage | V _{ref} | 2.475 | 2.500 | 2.525 | V | V _{KA} = V _{ref} | |
| Reference voltage temperature deviation | V _{ref} (dev) | — | 10 | — | mV | V _{KA} = V _{ref} , Ta = -20°C to +85°C | 1 |
| Reference voltage temperature coefficient | ΔV _{ref} /ΔTa | — | ±30 | — | ppm/°C | V _{KA} = V _{ref} , 0°C to 50°C gradient | |
| Reference voltage regulation | ΔV _{ref} /ΔV _{KA} | — | 2.0 | 3.7 | mV/V | V _{KA} = V _{ref} to 16 V | |
| Reference input current | I _{ref} | — | 2 | 6 | μA | R ₁ = 10 kΩ, R ₂ = ∞ | |
| Reference current temperature deviation | I _{ref} (dev) | — | 0.5 | — | μA | R ₁ = 10 kΩ, R ₂ = ∞, Ta = -20°C to +85°C | |
| Minimum cathode current | I _{min} | — | 0.4 | 1.0 | mA | V _{KA} = V _{ref} | 2 |
| Off state cathode current | I _{off} | — | 0.001 | 1.0 | μA | V _{KA} = 16 V, V _{ref} = 0 V | |
| Dynamic impedance | Z _{KA} | — | 0.2 | 0.5 | Ω | V _{KA} = V _{ref} , I _k = 1 mA to 50 mA | |
| Bypass resistance | R _{PS} | 1.6 | 2.0 | 2.4 | kΩ | I _{PS} = 1 mA | 3 |
| Bypass resistance temperature coefficient | ΔR _{PS} /ΔTa | — | +2000 | — | ppm/°C | I _{PS} = 1 mA, 0°C to 50°C gradient | 3 |

HA17431PJ/PAJ/FPJ/FPAJ/P/PA/UA/UPA/FP/FPA/PNA/PNAJ, HA17432UA/UPA

($T_a = 25^\circ\text{C}$, $I_K = 10\text{ mA}$)

| Item | Symbol | Min | Typ | Max | Unit | Test Conditions | Notes |
|---|---------------------------------------|----------------|----------|----------------|---------------|---|--------------|
| Reference voltage | V_{ref} | 2.440 2.395 | 2.495 | 2.550 2.595 | V | $V_{KA} = V_{\text{ref}}$ | A Normal |
| Reference voltage temperature deviation | $V_{\text{ref}}(\text{dev})$ | — | 11 5 | (30) (17) | mV | $V_{KA} = V_{\text{ref}}$ $T_a = -20^\circ\text{C}$ to $+85^\circ\text{C}$ $T_a = 0^\circ\text{C}$ to $+70^\circ\text{C}$ | 1, 4 1, 4 |
| Reference voltage regulation | $\Delta V_{\text{ref}}/\Delta V_{KA}$ | — | 1.4 1 | 3.7 2.2 | mV/V | $V_{KA} = V_{\text{ref}}$ to 10 V $V_{KA} = 10\text{ V}$ to 40 V | |
| Reference input current | I_{ref} | — | 3.8 | 6 | μA | $R_1 = 10\text{ k}\Omega$, $R_2 = \infty$ | |
| Reference current temperature deviation | $I_{\text{ref}}(\text{dev})$ | — | 0.5 | (2.5) | μA | $R_1 = 10\text{ k}\Omega$, $R_2 = \infty$, $T_a = 0^\circ\text{C}$ to $+70^\circ\text{C}$ | 4 |
| Minimum cathode current | I_{min} | — | 0.4 | 1.0 | mA | $V_{KA} = V_{\text{ref}}$ | 2 |
| Off state cathode current | I_{off} | — | 0.001 | 1.0 | μA | $V_{KA} = 40\text{ V}$, $V_{\text{ref}} = 0\text{ V}$ | |
| Dynamic impedance | Z_{KA} | — | 0.2 | 0.5 | Ω | $V_{KA} = V_{\text{ref}}$, $I_K = 1\text{ mA}$ to 100 mA | |

Notes: 1. $V_{\text{ref}}(\text{dev}) = V_{\text{ref}}(\text{max}) - V_{\text{ref}}(\text{min})$

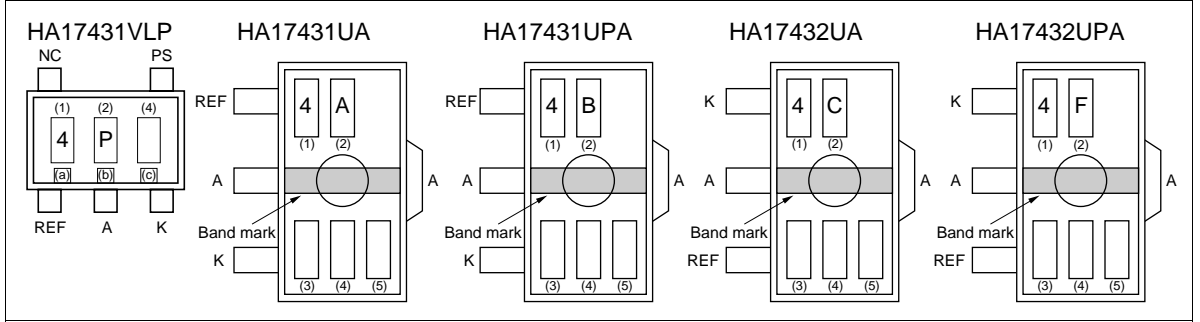


2. I_{min} is given by the cathode current at $V_{\text{ref}} = V_{\text{ref}}(I_K=10\text{mA}) - 15\text{ mV}$.
3. R_{PS} is only provided in HA17431VLP.
4. The maximum value is a design value (not measured).

HA17431 Series

MPAK-5 and UPAK Marking Patterns

The marking patterns shown below are used on MPAK-5 and UPAK products. Note that the product code and mark pattern are different. The pattern is laser-printed.



Notes: 1. Boxes (1) to (5) in the figures show the position of the letters or numerals, and are not actually marked on the package.

2. The letters (1) and (2) show the product specific mark pattern.

| Product | (1) | (2) |
|------------|-----|-----|
| HA17431VLP | 4 | P |
| HA17431UA | 4 | A |
| HA17431UPA | 4 | B |
| HA17432UA | 4 | C |
| HA17432UPA | 4 | F |

3. The letter (3) shows the production year code (the last digit of the year) for UPAK products.

4. The bars (a), (b) and (c) show a production year code for MPAK-5 products as shown below. After 2005 the code is repeated every 8 years.

| Year | 1997 | 1998 | 1999 | 2000 | 2001 | 2002 | 2003 | 2004 |
|------|------|------|------|------|------|------|------|------|
| (a) | Bar | Bar | Bar | Bar | None | None | None | None |
| (b) | None | None | Bar | Bar | None | None | Bar | Bar |
| (c) | None | Bar | None | Bar | None | Bar | None | Bar |

5. The letter (4) shows the production month code (see table below).

| Production month | Jan. | Feb. | Mar. | Apr. | May. | Jun. | Jul. | Aug. | Sep. | Oct. | Nov. | Dec. |
|------------------|------|------|------|------|------|------|------|------|------|------|------|------|
| Marked code | A | B | C | D | E | F | G | H | J | K | L | M |

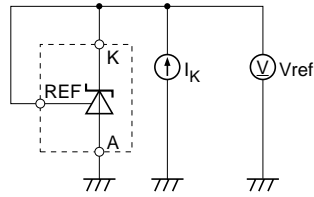
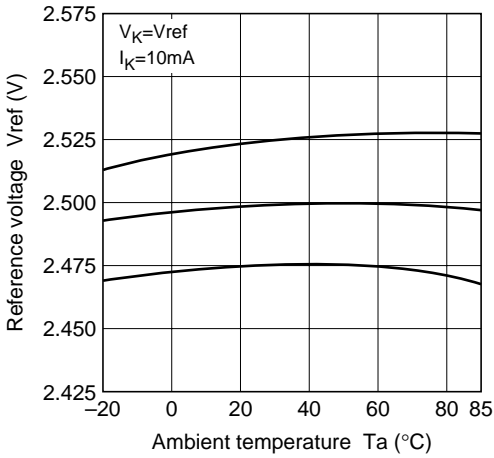
6. The letter (5) shows manufacturing code. For UPAK products.

HITACHI

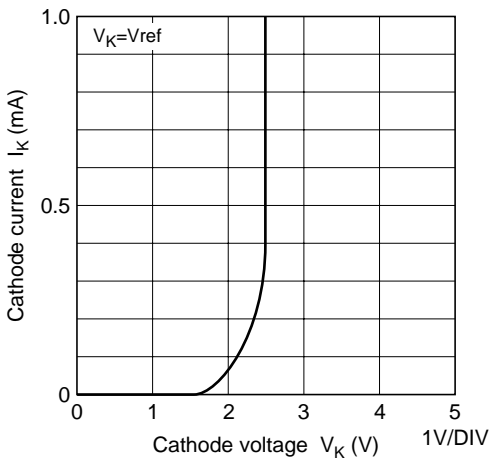
Characteristics Curves

HA17431VLP/VP/VPJ

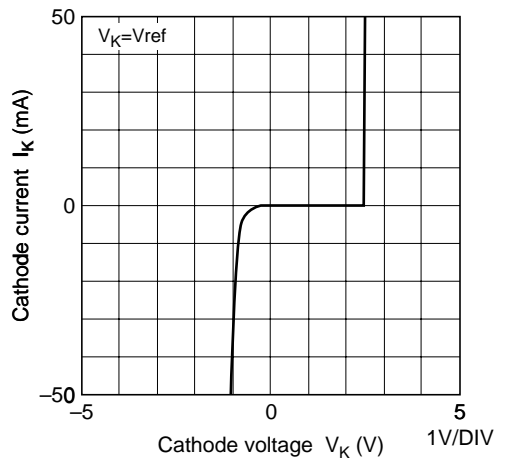
Reference Voltage Temperature Characteristics



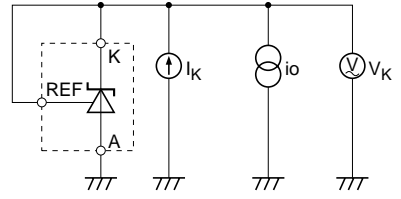
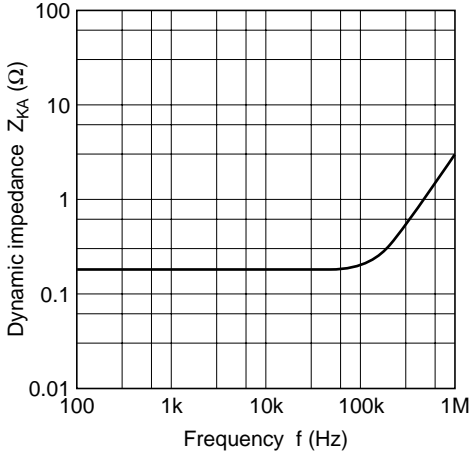
Cathode Current vs. Cathode Voltage Characteristics 1



Cathode Current vs. Cathode Voltage Characteristics 2



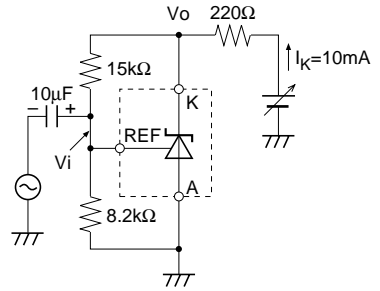
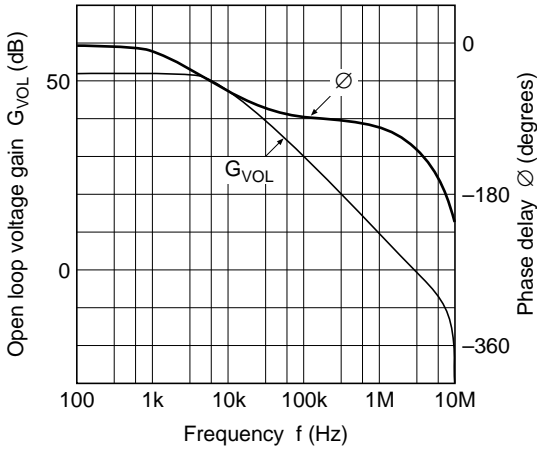
Dynamic Impedance vs. Frequency Characteristics



$$i_o = 2 \text{ mA}_{p.p}$$

$$Z_{KA} = \frac{V_K}{i_o} (\Omega)$$

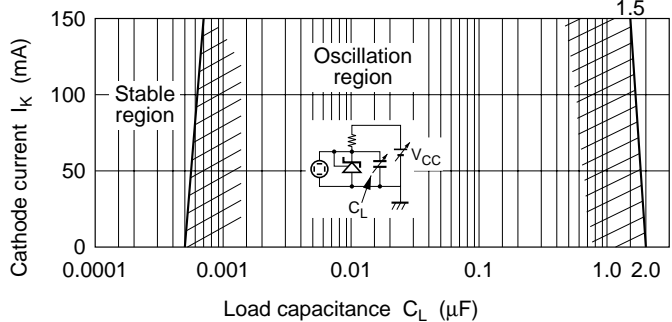
Open Loop Voltage Gain, Phase vs. Frequency Characteristics



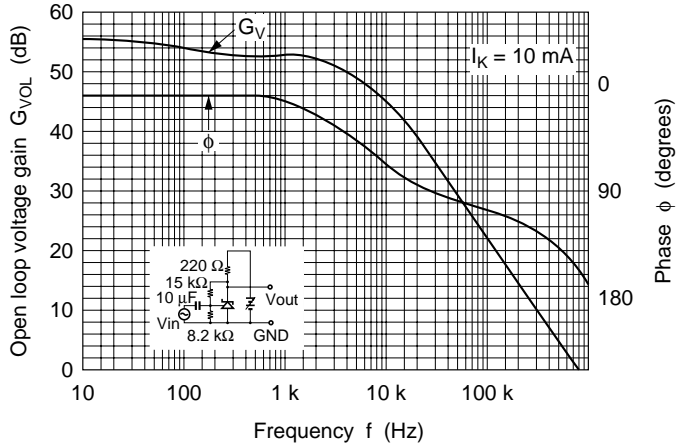
$$G = 20 \log \left(\frac{V_o}{V_i} \right) (\text{dB})$$

HA17431PJ/PAJ/FPJ/FPAJ/P/PA/UA/UPA/FP/FPA/PNA/PNAJ, HA17432UA/UPA

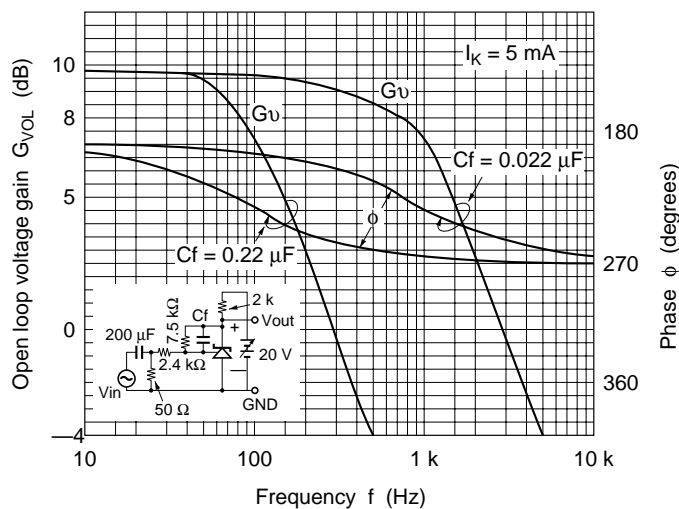
Oscillation Stability vs. Load Capacitance between Anode and Cathode

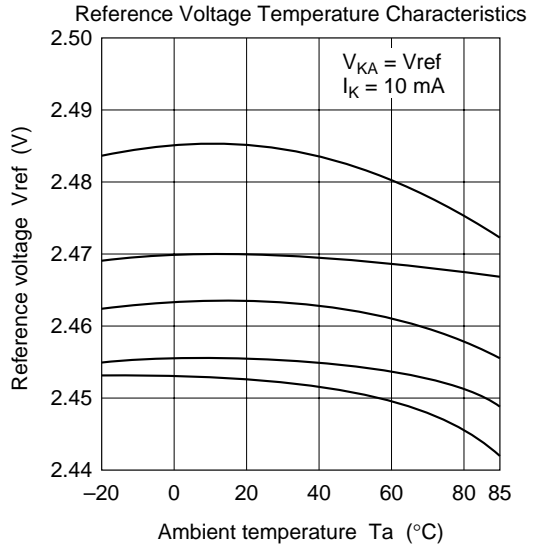
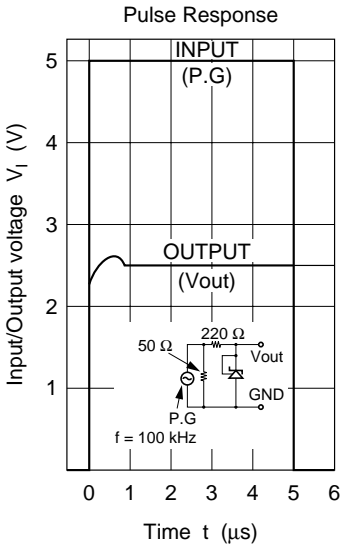
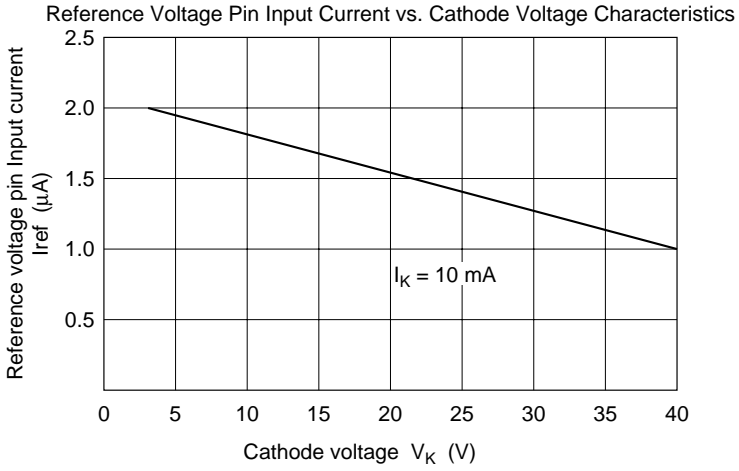


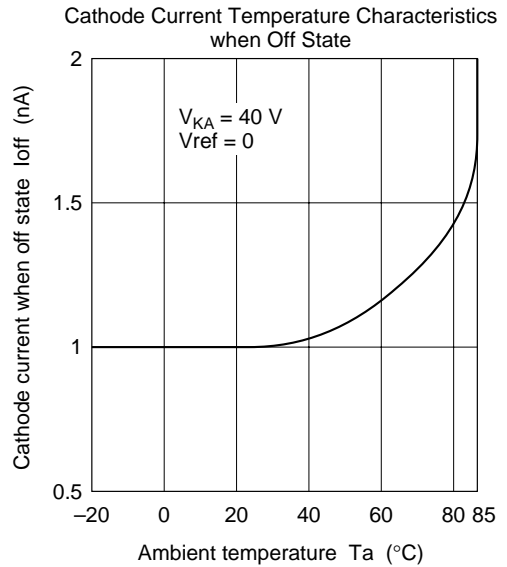
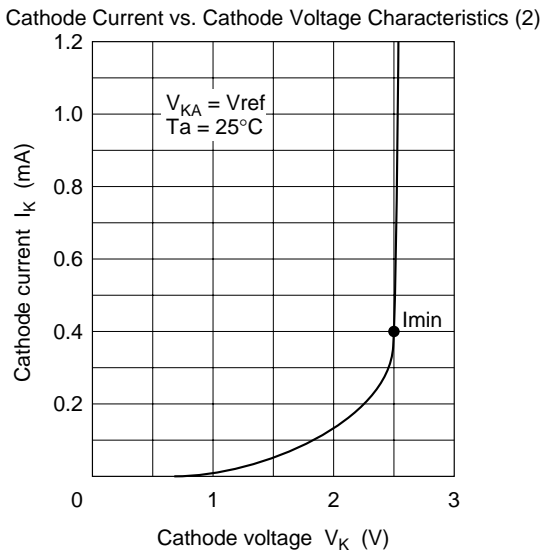
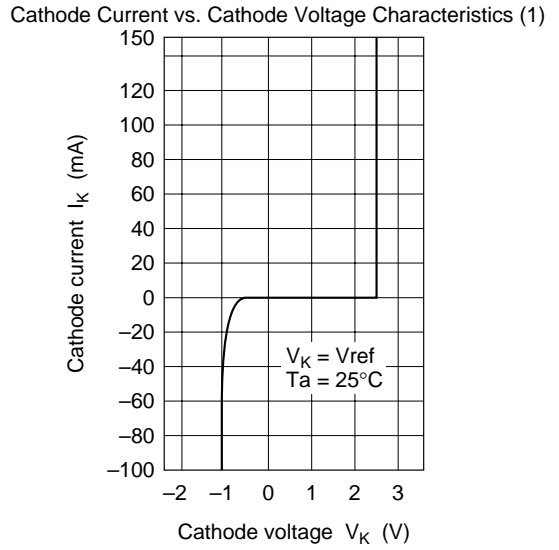
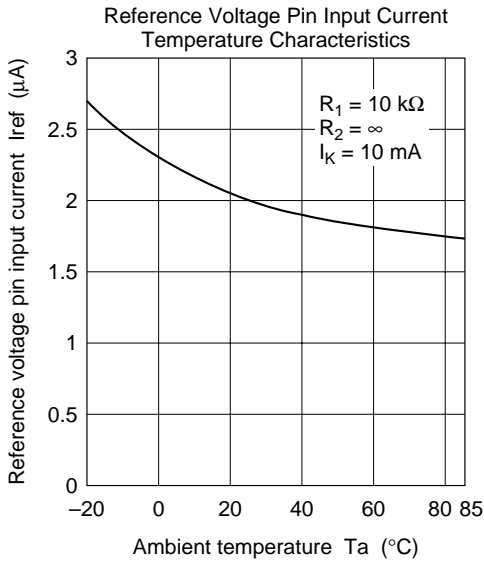
Open Loop Voltage Gain, Phase vs. Frequency Characteristics (1)
(With no feedback capacitance)



Open Loop Voltage Gain, Phase vs. Frequency Characteristics (2)
(When a feedback capacitance (Cf) is provided)







Application Examples

As shown in the figure on the right, this IC operates as an inverting amplifier, with the REF pin as input pin. The open-loop voltage gain is given by the reciprocal of “reference voltage deviation by cathode voltage change” in the electrical specifications, and is approximately 50 to 60 dB. The REF pin has a high input impedance, with an input current I_{ref} of 3.8 μA Typ (V version: $I_{ref} = 2 \mu\text{A}$ Typ). The output impedance of the output pin K (cathode) is defined as dynamic impedance Z_{KA} , and Z_{KA} is low (0.2Ω) over a wide cathode current range. A (anode) is used at the minimum potential, such as ground.

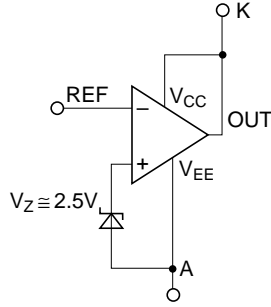


Figure 1 Operation Diagram

Application Hints

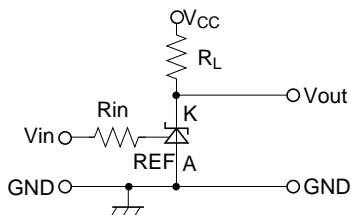
| No. | Application Example | Description |
|-----|--|--|
| 1 | <p>Reference voltage generation circuit</p> | <p>This is the simplest reference voltage circuit. The value of the resistance R is set so that cathode current $I_K \geq 1 \text{ mA}$.</p> <p>Output is fixed at $V_{out} \cong 2.5 \text{ V}$.</p> <p>The external capacitor C_L ($C_L \geq 3.3 \mu\text{F}$) is used to prevent oscillation in normal applications.</p> |
| 2 | <p>Variable output shunt regulator circuit</p> | <p>This is circuit 1 above with variable output provided.</p> <p>Here, $V_{out} \cong 2.5 \text{ V} \times \frac{(R_1 + R_2)}{R_2}$</p> <p>Since the reference input current $I_{ref} = 3.8 \mu\text{A}$ Typ (V version: $I_{ref} = 2 \mu\text{A}$ Typ) flows through R_1, resistance values are chosen to allow the resultant voltage drop to be ignored.</p> |

Application Hints (cont)

No. Application Example

Description

3 Single power supply inverting comparator circuit

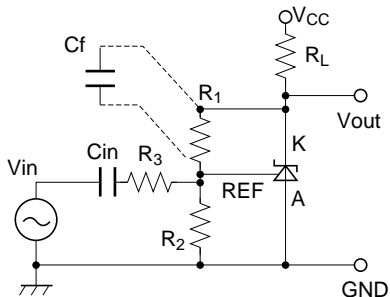


This is an inverting type comparator with an input threshold voltage of approximately 2.5 V. Rin is the REF pin protection resistance, with a value of several kΩ to several tens of kΩ.

RL is the load resistance, selected so that the cathode current $I_K \geq 1$ mA when Vout is low.

| Condition | Vin | Vout | IC |
|-----------|-----------------|------------------------------------|-----|
| C1 | Less than 2.5 V | V _{CC} (V _{OH}) | OFF |
| C2 | 2.5 V or more | Approx. 2 V (V _{OL}) | ON |

4 AC amplifier circuit



This is an AC amplifier with voltage gain $G = -R_1 / (R_2/R_3)$. The input is cut by capacitance Cin, so that the REF pin is driven by the AC input signal, centered on 2.5 V_{DC}.

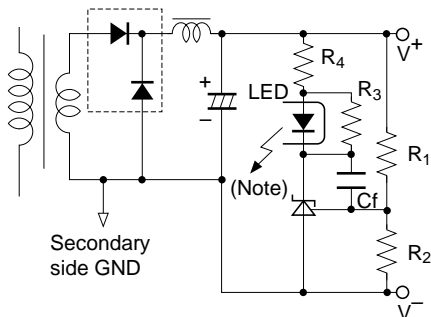
R₂ also functions as a resistance that determines the DC cathode potential when there is no input, but if the input level is low and there is no risk of Vout clipping to V_{CC}, this can be omitted.

To change the frequency characteristic, Cf should be connected as indicated by the dotted line.

$$\text{Gain } G = \frac{R_1}{R_2 // R_3} \text{ (DC gain)}$$

$$\text{Cutoff frequency } f_c = \frac{1}{2\pi Cf (R_1 // R_2 // R_3)}$$

5 Switching power supply error amplification circuit



This circuit performs control on the secondary side of a transformer, and is often used with a switching power supply that employs a photocoupler for offlining.

The output voltage (between V+ and V-) is given by the following formula:

$$V_{out} \cong 2.5 \text{ V} \times \frac{(R_1 + R_2)}{R_2}$$

In this circuit, the gain with respect to the Vout error is as follows:

$$G = \frac{R_2}{(R_1 + R_2)} \times \left[\text{HA17431 open loop gain} \right] \times \left[\text{photocoupler total gain} \right]$$

- Note: LED : Light emitting diode in photocoupler
 R3 : Bypass resistor to feed $I_K (>I_{min})$ when LED current vanishes
 R4 : LED protection resistance

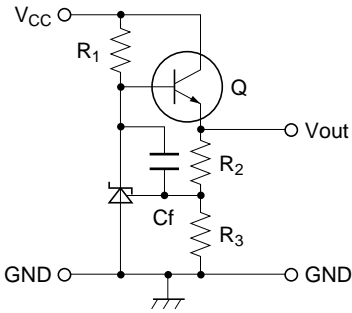
As stated earlier, the HA17431 open-loop gain is 50 to 60 dB.

Application Hints (cont)

No. Application Example

Description

6 Constant voltage regulator circuit

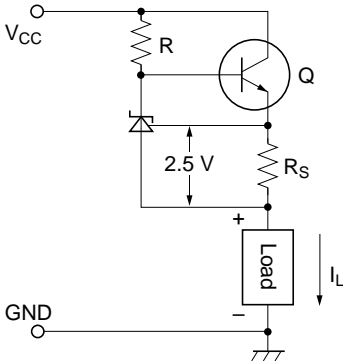


This is a 3-pin regulator with a discrete configuration, in which the output voltage

$$V_{out} = 2.5 \text{ V} \times \frac{(R_2 + R_3)}{R_3}$$

R_1 is a bias resistance for supplying the HA17431 cathode current and the output transistor Q base current.

7 Discharge type constant current circuit



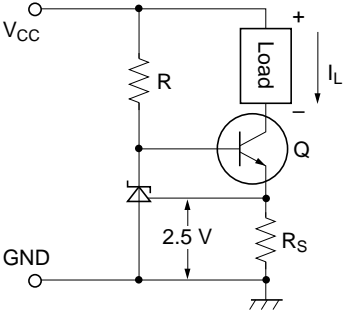
This circuit supplies a constant current of

$$I_L \cong \frac{2.5 \text{ V}}{R_S} \text{ [A]} \text{ into the load. Caution is required}$$

since the HA17431 cathode current is also superimposed on I_L .

The requirement in this circuit is that the cathode current must be greater than $I_{min} = 1 \text{ mA}$. The I_L setting therefore must be on the order of several mA or more.

8 Induction type constant current circuit



In this circuit, the load is connected on the collector side of transistor Q in circuit 7 above. In this case, the load floats from GND, but the HA17431 cathode current is not superimposed on I_L , so that I_L can be kept small (1 mA or less is possible). The constant current value is the same as for circuit 7 above:

$$I_L \cong \frac{2.5 \text{ V}}{R_S} \text{ [A]}$$

Design Guide for AC-DC SMPS (Switching Mode Power Supply)

Use of Shunt Regulator in Transformer Secondary Side Control

This example is applicable to both forward transformers and flyback transformers. A shunt regulator is used on the secondary side as an error amplifier, and feedback to the primary side is provided via a photocoupler.

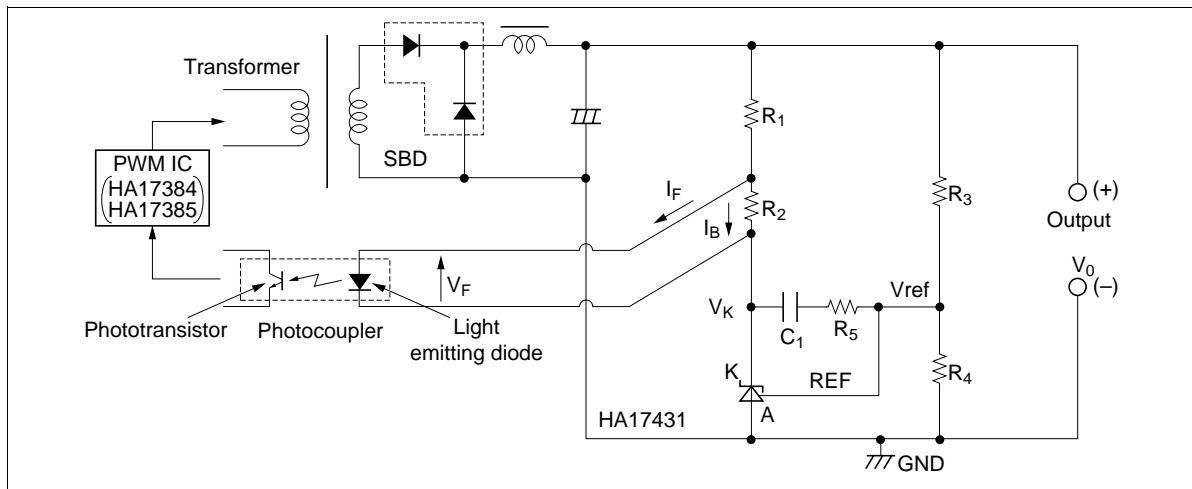


Figure 2 Typical Shunt Regulator/Error Amplifier

Determination of External Constants for the Shunt Regulator

DC characteristic determination: In figure 2, R_1 and R_2 are protection resistor for the light emitting diode in the photocoupler, and R_2 is a bypass resistor to feed I_K minimum, and these are determined as shown below. The photocoupler specification should be obtained separately from the manufacturer. Using the parameters in figure 2, the following formulas are obtained:

$$R_1 = \frac{V_0 - V_F - V_K}{I_F + I_B}, R_2 = \frac{V_F}{I_B}$$

V_K is the HA17431 operating voltage, and is set at around 3 V, taking into account a margin for fluctuation. R_2 is the current shunt resistance for the light emitting diode, in which a bias current I_B of around 1/5 I_F flows.

Next, the output voltage can be determined by R_3 and R_4 , and the following formula is obtained:

$$V_0 = \frac{R_3 + R_4}{R_4} \times V_{ref}, V_{ref} = 2.5 \text{ V Typ}$$

The absolute values of R_3 and R_4 are determined by the HA17431 reference input current I_{ref} and the AC characteristics described in the next section. The I_{ref} value is around 3.8 μA Typ. (V version: 2 μA Typ)

AC characteristic determination: This refers to the determination of the gain frequency characteristic of the shunt regulator as an error amplifier. Taking the configuration in figure 2, the error amplifier characteristic is as shown in figure 3.

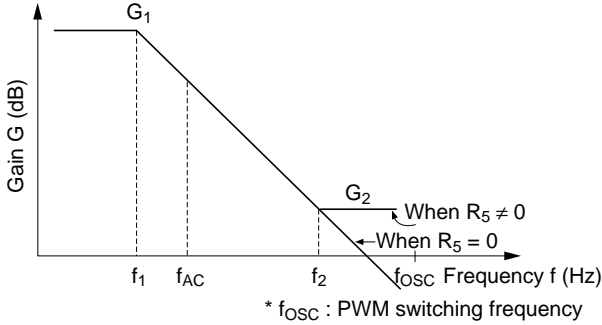


Figure 3 HA17431 Error Amplification Characteristic

In Figure 3, the following formulas are obtained:

Gain

$$G_1 = G_0 \approx 50 \text{ dB to } 60 \text{ dB (determined by shunt regulator)}$$

$$G_2 = \frac{R_5}{R_3}$$

Corner frequencies

$$f_1 = 1/(2\pi C_1 G_0 R_3)$$

$$f_2 = 1/(2\pi C_1 R_5)$$

G_0 is the shunt regulator open-loop gain; this is given by the reciprocal of the reference voltage fluctuation $\Delta V_{ref}/\Delta V_{KA}$, and is approximately 50 dB.

Practical Example

Consider the example of a photocoupler, with an internal light emitting diode $V_F = 1.05\text{ V}$ and $I_F = 2.5\text{ mA}$, power supply output voltage $V_2 = 5\text{ V}$, and bias resistance R_2 current of approximately $1/5 I_F$ at 0.5 mA . If the shunt regulator $V_K = 3\text{ V}$, the following values are found.

$$R_1 = \frac{5\text{V} - 1.05\text{V} - 3\text{V}}{2.5\text{mA} + 0.5\text{mA}} = 316(\Omega) \text{ (330}\Omega \text{ from E24 series)}$$

$$R_2 = \frac{1.05\text{V}}{0.5\text{mA}} = 2.1(\text{k}\Omega) \text{ (2.2k}\Omega \text{ from E24 series)}$$

Next, assume that $R_3 = R_4 = 10\text{ k}\Omega$. This gives a 5 V output. If $R_5 = 3.3\text{ k}\Omega$ and $C_1 = 0.022\text{ }\mu\text{F}$, the following values are found.

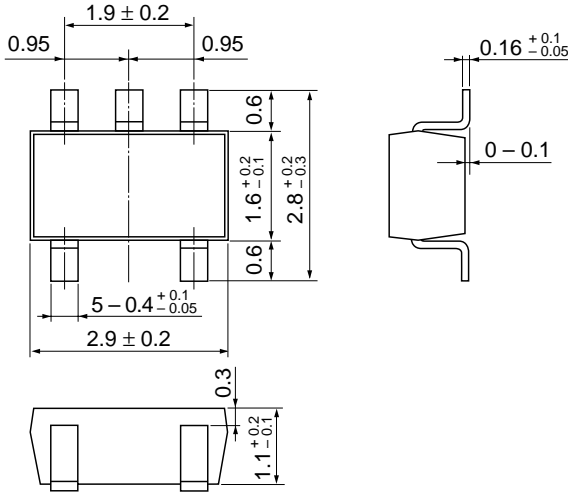
$$G_2 = 3.3\text{ k}\Omega / 10\text{ k}\Omega = 0.33 \text{ times } (-10\text{ dB})$$

$$f_1 = 1 / (2 \times \pi \times 0.022\text{ }\mu\text{F} \times 316 \times 10\text{ k}\Omega) = 2.3\text{ (Hz)}$$

$$f_2 = 1 / (2 \times \pi \times 0.022\text{ }\mu\text{F} \times 3.3\text{ k}\Omega) = 2.2\text{ (kHz)}$$

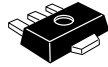
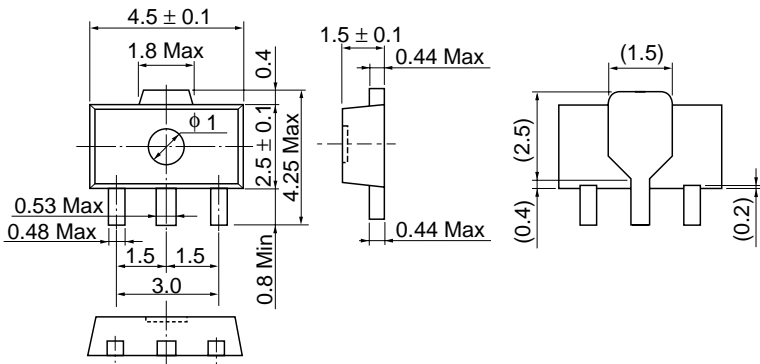
Package Dimensions

Unit: mm



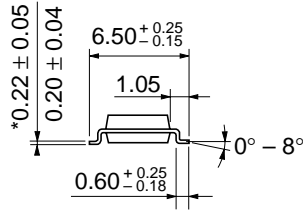
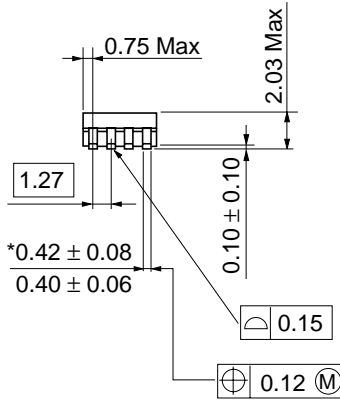
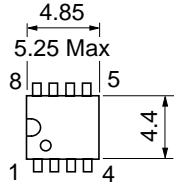
| | |
|------------------------|---------|
| Hitachi Code | MPAK-5 |
| JEDEC | — |
| EIAJ | — |
| Mass (reference value) | 0.015 g |

Unit: mm



| | |
|------------------------|----------|
| Hitachi Code | UPAK |
| JEDEC | — |
| EIAJ | Conforms |
| Mass (reference value) | 0.050 g |

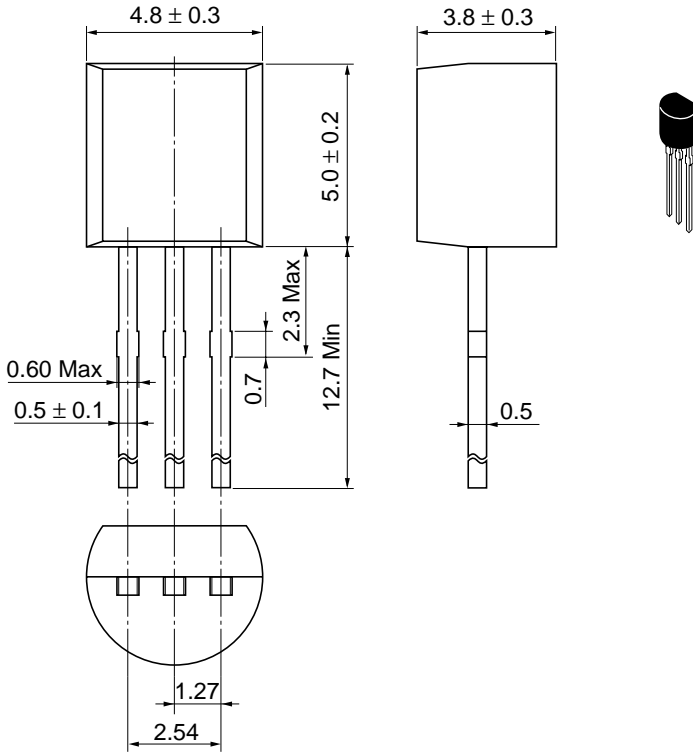
Unit: mm



*Dimension including the plating thickness
Base material dimension

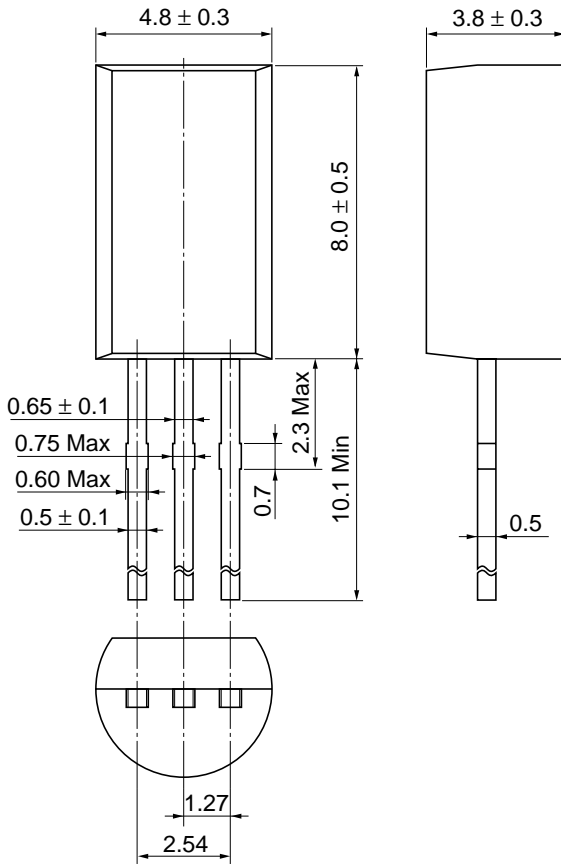
| | |
|------------------------|----------|
| Hitachi Code | FP-8D |
| JEDEC | — |
| EIAJ | Conforms |
| Mass (reference value) | 0.10 g |

Unit: mm



| | |
|------------------------|-----------|
| Hitachi Code | TO-92 (1) |
| JEDEC | Conforms |
| EIAJ | Conforms |
| Mass (reference value) | 0.25 g |

Unit: mm



| | |
|------------------------|-----------|
| Hitachi Code | TO-92 Mod |
| JEDEC | — |
| EIAJ | Conforms |
| Mass (reference value) | 0.35 g |

Cautions

1. Hitachi neither warrants nor grants licenses of any rights of Hitachi's or any third party's patent, copyright, trademark, or other intellectual property rights for information contained in this document. Hitachi bears no responsibility for problems that may arise with third party's rights, including intellectual property rights, in connection with use of the information contained in this document.
2. Products and product specifications may be subject to change without notice. Confirm that you have received the latest product standards or specifications before final design, purchase or use.
3. Hitachi makes every attempt to ensure that its products are of high quality and reliability. However, contact Hitachi's sales office before using the product in an application that demands especially high quality and reliability or where its failure or malfunction may directly threaten human life or cause risk of bodily injury, such as aerospace, aeronautics, nuclear power, combustion control, transportation, traffic, safety equipment or medical equipment for life support.
4. Design your application so that the product is used within the ranges guaranteed by Hitachi particularly for maximum rating, operating supply voltage range, heat radiation characteristics, installation conditions and other characteristics. Hitachi bears no responsibility for failure or damage when used beyond the guaranteed ranges. Even within the guaranteed ranges, consider normally foreseeable failure rates or failure modes in semiconductor devices and employ systemic measures such as fail-safes, so that the equipment incorporating Hitachi product does not cause bodily injury, fire or other consequential damage due to operation of the Hitachi product.
5. This product is not designed to be radiation resistant.
6. No one is permitted to reproduce or duplicate, in any form, the whole or part of this document without written approval from Hitachi.
7. Contact Hitachi's sales office for any questions regarding this document or Hitachi semiconductor products.

HITACHI

Hitachi, Ltd.

Semiconductor & Integrated Circuits.
Nippon Bldg., 2-6-2, Ohte-machi, Chiyoda-ku, Tokyo 100-0004, Japan
Tel: Tokyo (03) 3270-2111 Fax: (03) 3270-5109

URL NorthAmerica : <http://semiconductor.hitachi.com/>
 Europe : <http://www.hitachi-eu.com/hel/ecg>
 Asia : <http://sicapac.hitachi-asia.com>
 Japan : <http://www.hitachi.co.jp/Sicd/indx.htm>

For further information write to:

Hitachi Semiconductor
(America) Inc.
179 East Tasman Drive,
San Jose, CA 95134
Tel: <1> (408) 433-1990
Fax: <1> (408) 433-0223

Hitachi Europe GmbH
Electronic Components Group
Dornacher StraÙe 3
D-85622 Feldkirchen, Munich
Germany
Tel: <49> (89) 9 9180-0
Fax: <49> (89) 9 29 30 00

Hitachi Europe Ltd.
Electronic Components Group.
Whitebrook Park
Lower Cookham Road
Maidenhead
Berkshire SL6 8YA, United Kingdom
Tel: <44> (1628) 585000
Fax: <44> (1628) 585160

Hitachi Asia Ltd.
Hitachi Tower
16 Collyer Quay #20-00,
Singapore 049318
Tel: <65>-538-6533/538-8577
Fax : <65>-538-6933/538-3877
URL : <http://www.hitachi.com.sg>

Hitachi Asia Ltd.
(Taipei Branch Office)
4/F, No. 167, Tun Hwa North Road,
Hung-Kuo Building,
Taipei (105), Taiwan
Tel: <886>-(2)-2718-3666
Fax : <886>-(2)-2718-8180
Telex : 23222 HAS-TP
URL : <http://www.hitachi.com.tw>

Hitachi Asia (Hong Kong) Ltd.
Group III (Electronic Components)
7/F., North Tower,
World Finance Centre,
Harbour City, Canton Road
Tsim Sha Tsui, Kowloon,
Hong Kong
Tel : <852>-(2)-735-9218
Fax : <852>-(2)-730-0281
URL : <http://www.hitachi.com.hk>

Copyright © Hitachi, Ltd., 2000. All rights reserved. Printed in Japan.
Colophon 2.0

HITACHI