

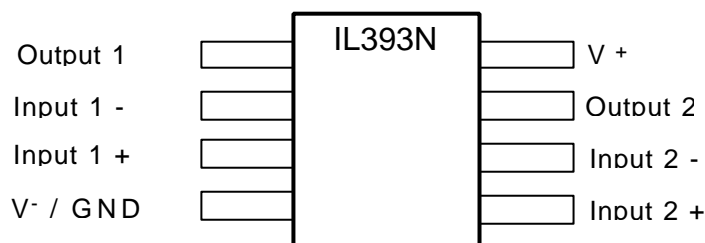
IL393N

LOW POWER, LOW OFFSET VOLTAGE DUAL COMPARATORS

The IL393N consists of two independent precision voltage comparators designed specifically to operate from a single power supply. Operation from split power supplies is also possible and the low power supply current drain is independent of the supply voltage range. Darlington connected pnp input stage allows the input common-mode voltage to include ground.

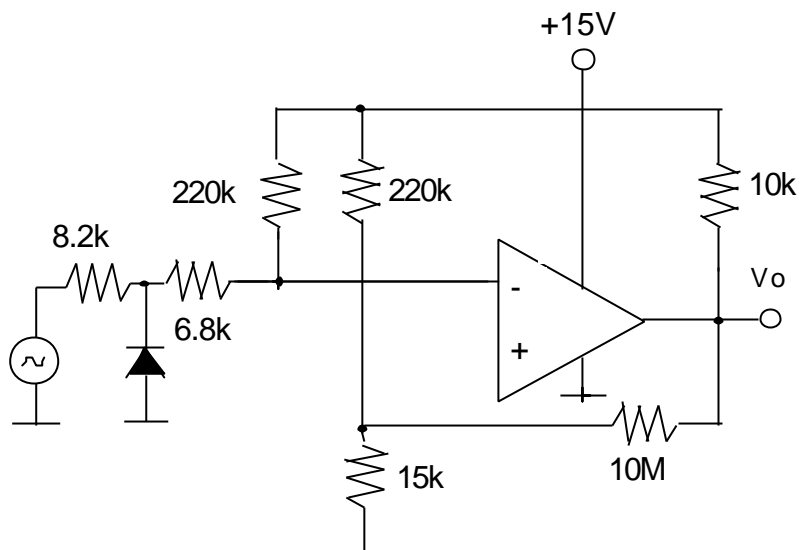
FEATURES

Single Supply Operation, V	+2.0 - +36
Dual Supply Operation, V	±1.0 - ±18
Compatible with All forms of Logic	
Allow Comparison of Voltages Near Ground Potential	
Low Input Bias Current	25nA typ
Low Input Offset Current	±5 nA typ
Low Current Drain	400µA typ
Low Offset Voltage	±2 mV

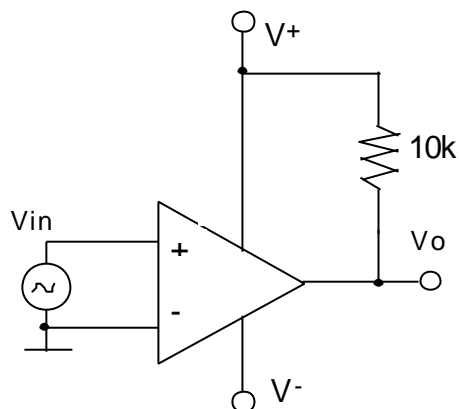


IL393N

Zero Crossing Detector (Single Supply)



Zero Crossing Detector (Split Supplies)



This datasheet has been downloaded from:

www.DatasheetCatalog.com

Datasheets for electronic components.