

SANYO	No.1052A	LA7016
	VCR Electronic Switch	

Features

- Wide input dynamic range
- Low distortion
- Good frequency characteristic

Maximum Ratings/ $T_a=25^\circ\text{C}$

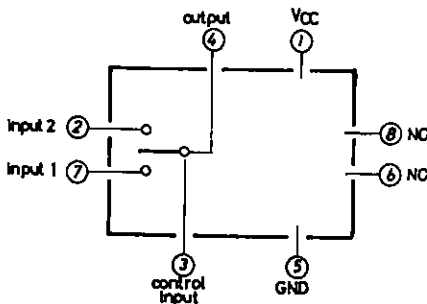
			unit
Maximum supply voltage	V_{CC} max	15	V
Allowable power dissipation	P_d max	$T_a \leq 65^\circ\text{C}$ 300	mW
Operating Temperature	T_{opr}	-20 to +65	$^\circ\text{C}$
Storage temperature	T_{stg}	-40 to +125	$^\circ\text{C}$

Operation Characteristics/ $T_a=25^\circ\text{C}$, $V_{CC}=12\text{V}$

			min	typ	max	unit
Circuit current	I_D			9.3	12.5	mA
Total Harmonic distortion	THD	* $R_g=600\Omega$, $4.5V_{p-p}$, $f=1\text{kHz}$, $R_L=\infty$		0.007	0.1	%
Noise	e_n	* $R_g=600\Omega$, $f=20\text{Hz}$ to 20kHz , $R_L=\infty$		-93	-80	dBs
Crosstalk	I_{s1}	* Input A: $R_g=50\Omega$, $f=3.58\text{MHz}$, $2V_{p-p}$, Input B: $R_g=1k\Omega$	50	68		dB
Pedestal	ΔV_{ped}	$V_3=2.2\text{V}$ to 3.0V	-100	0	+100	mV
Second harmonic		$R_g=50\Omega$, $f=1\text{MHz}$, $4.0V_{p-p}$, $R_L=\infty$	46	55		dB
Third harmonic		$R_g=50\Omega$, $f=1\text{MHz}$, $4.0V_{p-p}$, $R_L=\infty$	46	52		dB
Control, threshold voltage	V_{3s}		2.2	2.6	3.0	V
Pin voltage (pin 4)	V_4			6.9	6.9	V
Pin voltage (pin 7)	V_7	$V_3=2.2\text{V}$		7.6		V
Pin voltage (pin 7)	V_7	$V_3=3.0\text{V}$		7.6		V
Pin voltage (pin 2)	V_2	$V_3=3.0\text{V}$		7.6		V
Pin voltage (pin 2)	V_2	$V_3=2.2\text{V}$		7.6		V

Note) *: Test for input 1 and input 2.
 For input 1 test, V_{cont} (pin 3 voltage) is 2.0V.
 For input 2 test, V_{cont} is 3.0V.

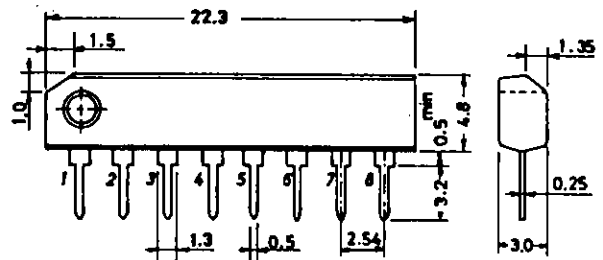
Equivalent Circuit Block Diagram



Package Dimensions

(unit : mm)

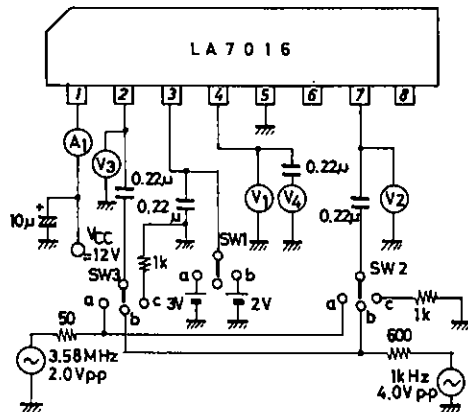
3016B



SANYO : SIP8

LA7016

Test Circuit

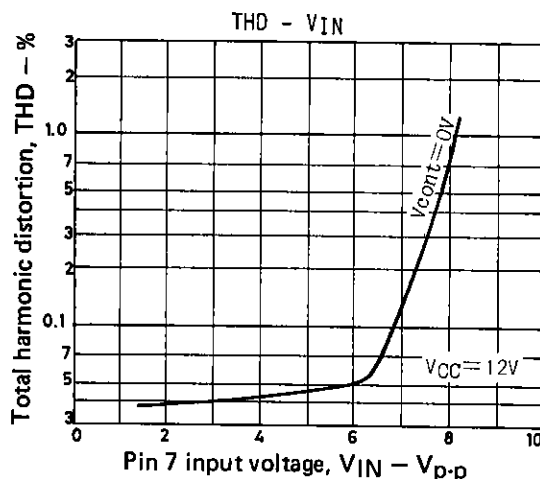
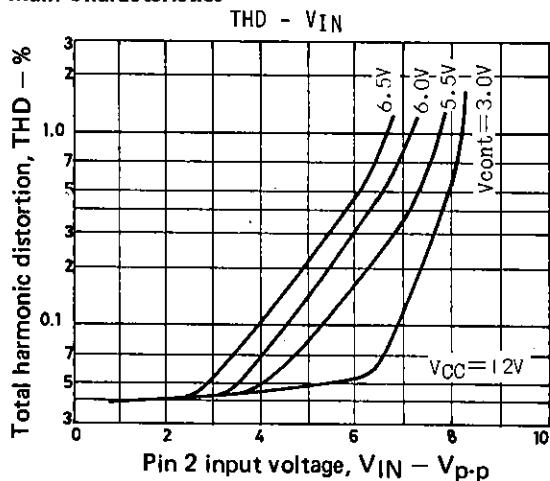


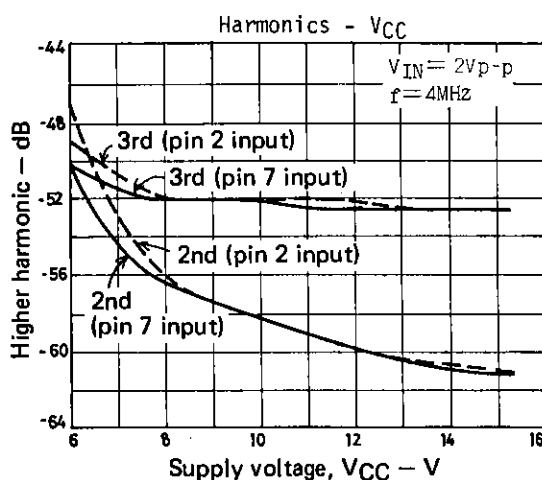
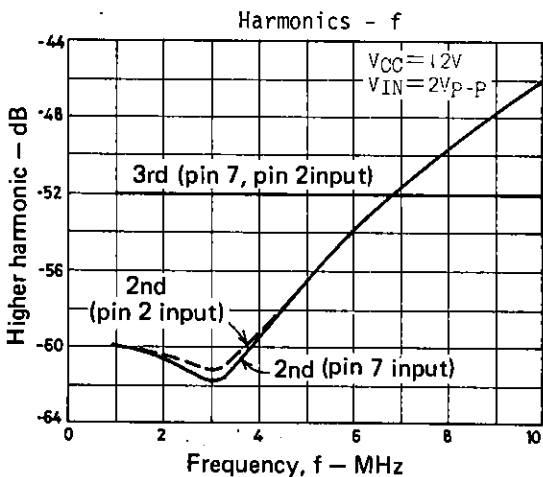
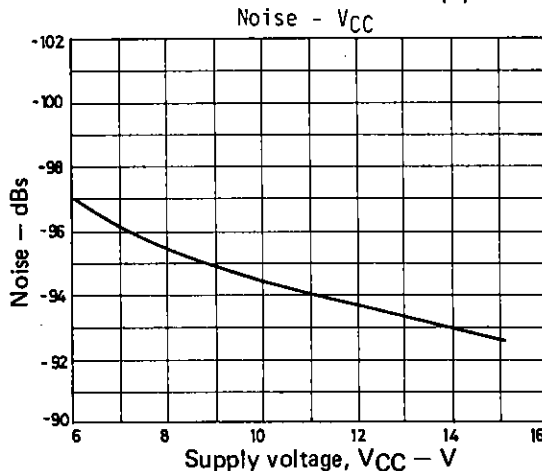
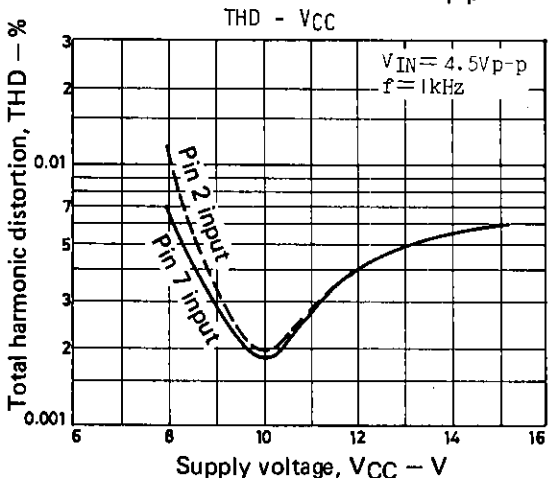
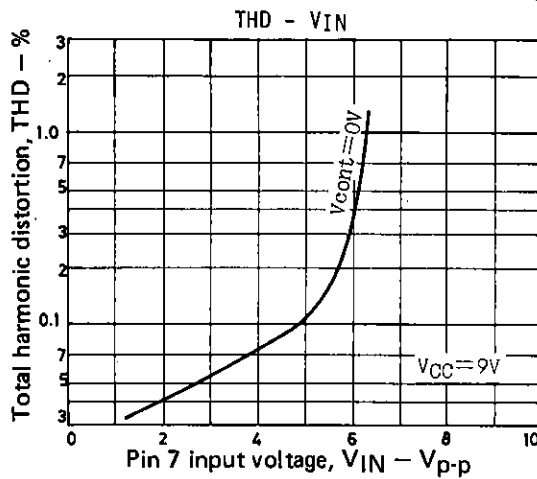
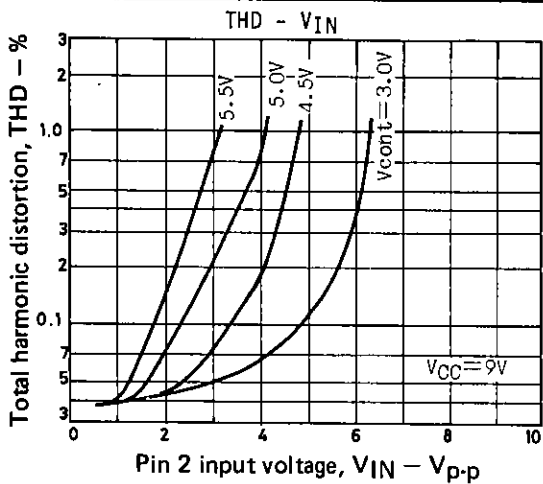
Test Conditions

Unit (resistance:Ω, capacitance:F)

Item	Symbol	SW mode			Test point
		SW1	SW2	SW3	
Circuit current	I_D	c	c	c	A ₁
Distortion (1)	THD	b	b	c	V ₄
Distortion (2)	THD	a	c	b	V ₄
Noise (1)	e_n	b	c	c	V ₄
Noise (2)	e_n	a	c	c	V ₄
Crosstalk (1)	I_{S1}	b	c	a	V ₄
Crosstalk (2)	I_{S2}	a	a	c	V ₄
Pedestal	ΔV_{PED}	a-b	c	c	V ₁
Pin voltage (pin 4)		b	c	c	V ₁
Pin voltage (pin 7)		b	c	c	V ₂
Pin voltage (pin 7)		a	c	c	V ₂
Pin voltage (pin 2)		a	c	c	V ₃
Pin voltage (pin 2)		b	c	c	V ₃

Main Characteristics





■ No products described or contained herein are intended for use in surgical implants, life-support systems, aerospace equipment, nuclear power control systems, vehicles, disaster/crime-prevention equipment and the like, the failure of which may directly or indirectly cause injury, death or property loss.

■ Anyone purchasing any products described or contained herein for an above-mentioned use shall:

- ① Accept full responsibility and indemnify and defend SANYO ELECTRIC CO., LTD., its affiliates, subsidiaries and distributors and all their officers and employees, jointly and severally, against any and all claims and litigation and all damages, cost and expenses associated with such use;
- ② Not impose any responsibility for any fault or negligence which may be cited in any such claim or litigation on SANYO ELECTRIC CO., LTD., its affiliates, subsidiaries and distributors or any of their officers and employees jointly or severally.

■ Information (including circuit diagrams and circuit parameters) herein is for example only; it is not guaranteed for volume production. SANYO believes information herein is accurate and reliable, but no guarantees are made or implied regarding its use or any infringements of intellectual property rights or other rights of third parties.

This catalog provides information as of December, 1996. Specifications and information herein are subject to change without notice.

This datasheet has been download from:

www.datasheetcatalog.com

Datasheets for electronics components.