

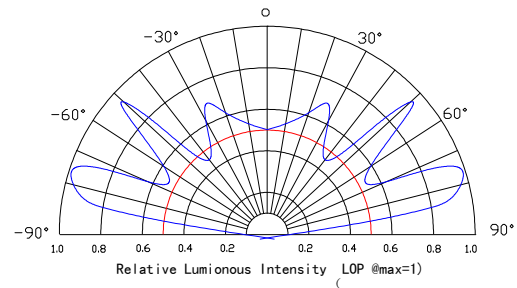
FYLP-3W-UWWS

Features:

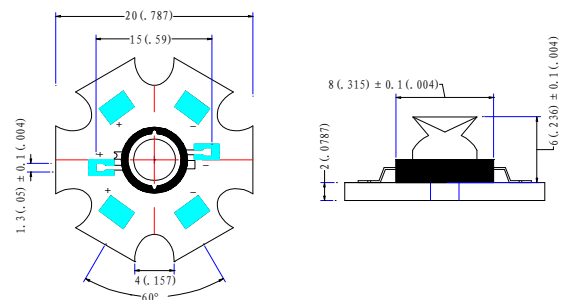
- Long operating life
- Highest flux
- Available in Warm White
- Lambertian radiation pattern
- More energy efficient than incandescent and most halogen lamps
- Low voltage DC operated
- Cool beam, safe to the touch
- Instant light (less than 100ns)
- Fully dimmable
- No UV
- Superior ESD protection
- Eutectic die band, lower Rth.
- ROHS compliant –Lead-free

- Instant light (less than 100ns)

Radiation Pattern



Package Dimensions



Applications

- Reading lights (car, bus, aircraft)
- Portable (flashlight, bicycle)
- orientation
- Mini-accent
- Decorative
- Fiber optic alternative
- Appliance
- Sign and channel letter
- Architectural detail
- Cove lighting
- Automotive exterior (stop-Tail-turn, CHMSL, Mirror side repeat)
- Edge-lit signs (Exit, point of sale)

■ **Typical Optical/Electrical Characteristics@T_J=25°C**

Item	symbol	Condition	Min	Typ	Max	Unit
Forward Voltage	V _F	I _F =800mA	3.2	3.4	4.0	V
Reverse Current	I _R	V _R =5V			50	μA
50% Power Angle	2θ _{1/2}	I _F =800mA	-	175	-	deg
Luminous Intensity	Φ _v	I _F =800mA	90	100		LM
Chromaticity coordinates	X	I _F =350mA		0.40		
	Y			0.39		
Recommend Forward Current	I _F			350		mA
CCT		F=800mA	2800	--	3800	K
Thermal Resistance, Junction to Case	R _{jc}	I _F =800mA		10		°C/W

- Notes: 1. Tolerance of measurement of forward voltage ± 0.1v;
 2. Tolerance of measurement of peak Wavelength ± 2.0nm;
 3. Tolerance of measurement of luminous intensity ± 15%;

■ **Absolute Maximum Rating.**

Item	symbol	Absolute Maximum Rating	Unit
Forward Current	I _F	800	mA
Peak Forward Current*	I _{FD}	1200	mA
Reverse Voltage	V _R	5	V
Power Dissipation	P _D	3000	mW
Electrostatic discharge	ESD	± 4500	V
Operation Temperature	T _{OPR}	-30°C to +80°C	
Storage Temperature	T _{STG}	-40°C to +100°C	
Lead Soldering Temperature*	T _{SOL}	260°C for 3 Seconds Max	

- IFP Conditions :Pulse Width ≤10 msec duty ≤1/10
- All high Power emitter LED products mounted on aluminum metal-core printed circuit board, can be lighted directly ,but we do not recommend lighting the high power products for more than 5 seconds without a directly,but we do not recommend lighting the high powe products for more than 5 seconds without a appropriate heat dissipation equipment.
- Re-flow, wave peak and soak-stannum soldering etc. is not suitable for this products.
- Suggest to solder it by professional high power LED soldering machine.
- Can use invariable -temperature searing-iron with soldering condition: ≤260 degree less than 3 seconds.

■ Typical optical/Electrical Characteristics Curves (Tj=25°C Unless Otherwise Noted)

